

WEN-28 ET2 NORMAL SPIN WASHER EXTRACTOR



EASY TOUCH 2

7" touch screen, user-friendly and fully programmable
Connection USB. Free software online for programming,
telemetry, data analysis...

Videos display (ads, instructions...)

37 available languages

8 dosing signals as standard.



G FACTOR

G factor 200: high G factor for low spin washers, reduced
residual moisture, reduced drying time, energy savings



EFFICIENCY

Optimized consumption: automatic or manual adjustment
of water levels and detergents according to the load

Water Saving system: 3 configurable levels of savings



VERSATILITY

OPL <> SELF-SERVICE

ELECTRIC <> HOT WATER

MAKE TO ORDER: possibility to customize

WET CLEANING as standard



CONNECTIVITY

Communication Danube Online - IoT as standard

Remote technical service

Management of laundry

Multi-payment system



ERGONOMICS

Big aluminium door ø 460 mm

Easy door lock system



MAINTENANCE

Hinged panel: easy access to parts

Same parts for all the models: electronic components,
gear, inverter, contactors

Technical menu: statistics, errors...



OTHERS

Hard mounted washers to be anchored to the floor

Stainless steel vat and drum, skinplate outer casing

3 water inlets

4 compartments detergents box

Imbalance controlled by frequency inverter

CE and WRAS certificates. ETL option.

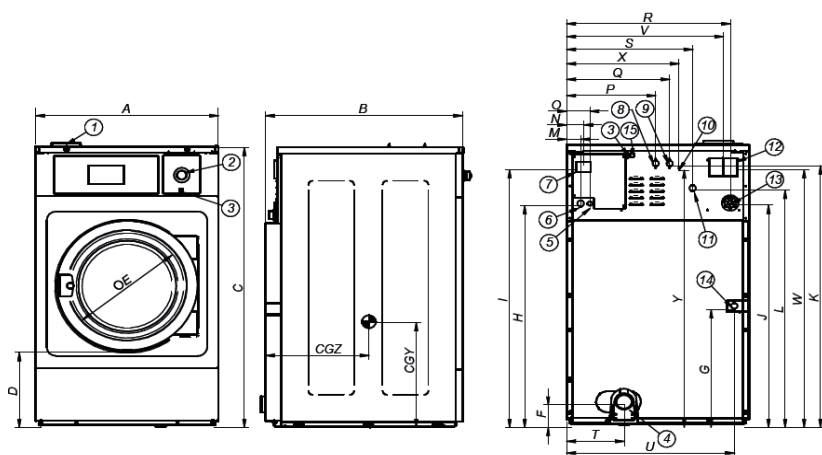


OPTIONS

- 2 dosing pumps kit DQ-2
- Additional dosing pump DB-1
- Double drain
- SLUICE: model with 8 mm drum holes
- Anchoring base
- Normally closed valve
- AQUA FLOW bath recirculation kit
- 6 additional dosing signals
- Silicone door gasket
- Reversing door opening
- Tropicalized model (ET2)
- Steam transformation kit
- AISI-304 stainless steel outer casing or front panel
- Automatic door unlock device (in case of power failure)
- Coin kits: tokens or coins meter + box, central pay
- Other tensions

TECHNICAL DATA	UNIT.	WEN-28 ET2	
DRUM			
Capacity 1:9 / 1:10	Kg	31 / 28	
Volume	l	280	
Diameter	mm	770	
Depth	mm	585	
GENERAL DATA			
Washing / extraction speed	r.p.m.	48 / 682	
G factor	-	200	
Maximum force transmitted	KN	3,68 ±6	
Frequency dynamic force	Hz	8,02	
Sound level	dB	< 70	
Self-service version	-	YES	
Double drain	-	OPT	
Weighing / Tilting system	-	NO / NO	
Sluice option	-	YES	
DOOR			
Height center / base door	mm	700 / 400	
Diameter	mm	460	
POWER			
Motor	kW	4	
Heating (Elec. models)	kW	18	
Max. elec. power (Elec. models)	kW	19,2	
Max. elec. power (steam or hot w.)	kW	4	
CONNECTIONS		ELECTRIC	STEAM / HOT WATER
Tension 230V - I + N + T	Nº x mm2 / A	-	2 x 4 / 32A
Tension 230V - III + T	Nº x mm2 / A	3 x 16 / 63A	-
Tension 400V - III + N + T	Nº x mm2 / A	4 x 4 / 32A	-
Steam inlet (steam mod.)	Inch	3/4"	
Max. steam consumption	Kg/h	15	
Water inlet	Inch	3/4"	
Water pressure	Kgs/cm ²	2-4	
Maximum water consumption*	Lit/h	164,8	
Drain	Inch	3"	
Drain flow	Lit/min	200	
DIMENSIONS / PACKING DIMENSIONS			
Net / gross length	mm	884 / 930	
Net / gross depth	mm	1.070 / 1.260	
Net / gross height	mm	1.340 / 1.523	
Net / gross weight	kg	365 / 395	
Volume	m3	1,8	

* Nº20 Program, 75% load



1. SOAP DISPENSER
2. EMERGENCY STOP
3. USB PORT
4. DRAIN
5. ELECTRIC CONNECTION TO LIQUID SOAP PUMPS
6. ELECTRICAL CONNECTION
7. MAIN SWITCH
8. AUXILIAR WATER INLET
9. HOT WATER INLET
10. EQUIPOTENTIAL CONNECTION
11. COLD WATER INLET
12. BLUR OUTPUT / WATER OVERLOAD
13. LIQUID SOAP CONNECTION
14. STEAM CONNECTION
15. ETHERNET PORT

	A	B	C	D	E	F	G	H	I	J	K	L	M	N	O	P	Q	R	S	T	U	V	W	X	Y	CGY	CGZ
WEN-28	884	1.070	1.330	400	460	145	548	1.063	1.230	1.062	1.250	1.135	61	74	101	430	510	801	640	268	820	772	1.220	570	1.210	591	593

